

1. Finish Goods PKG photo



2. Packing method

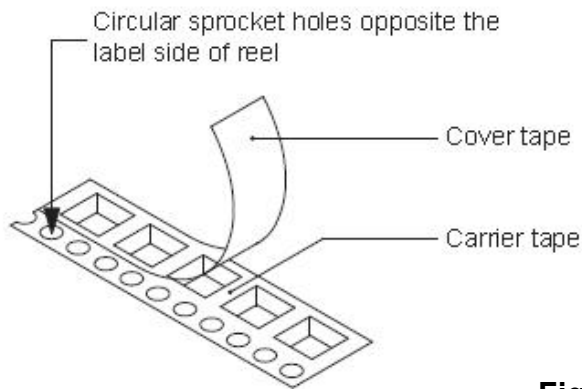
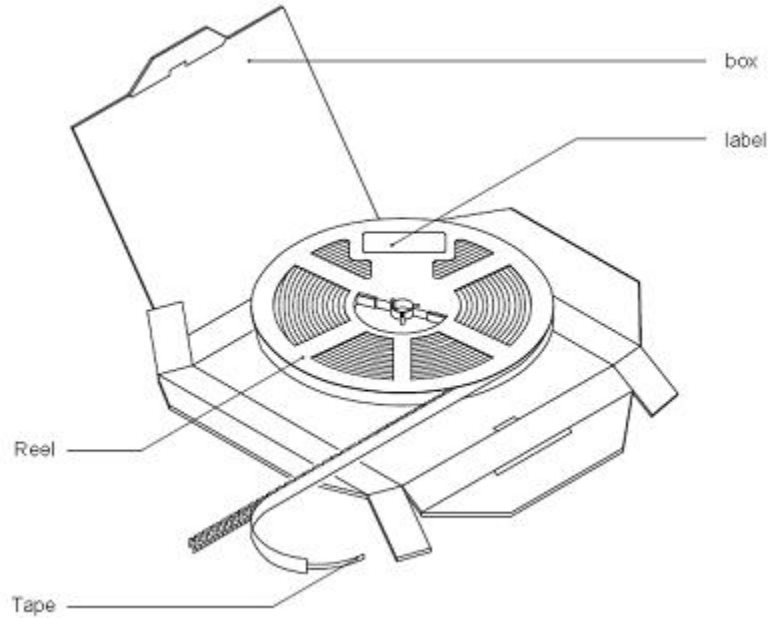


Fig.1- Reel pack for SMD

Table 1. Packing information

Package version	Reel dimensions $\phi$ (mm)	Pcs/reel (pcs)	Per reel weight (Kg)	Reels Inner box	Inner box weight (Kg)	Inner box per outer box	Outer box weight (Kg)
BTS	$\Phi 330 \times 18.4$	5000	0.7996	2	1.78	8	15

3. Product orientation

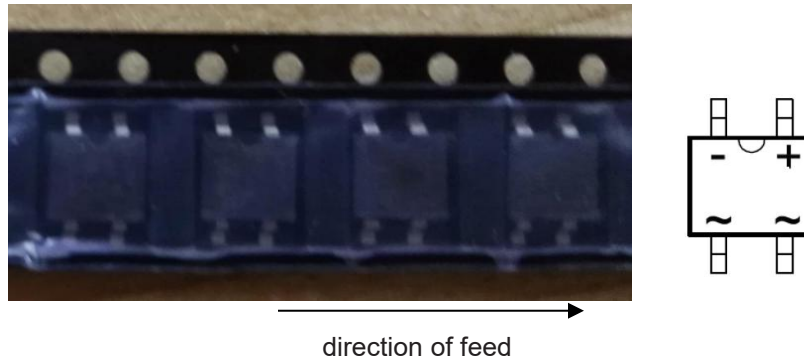
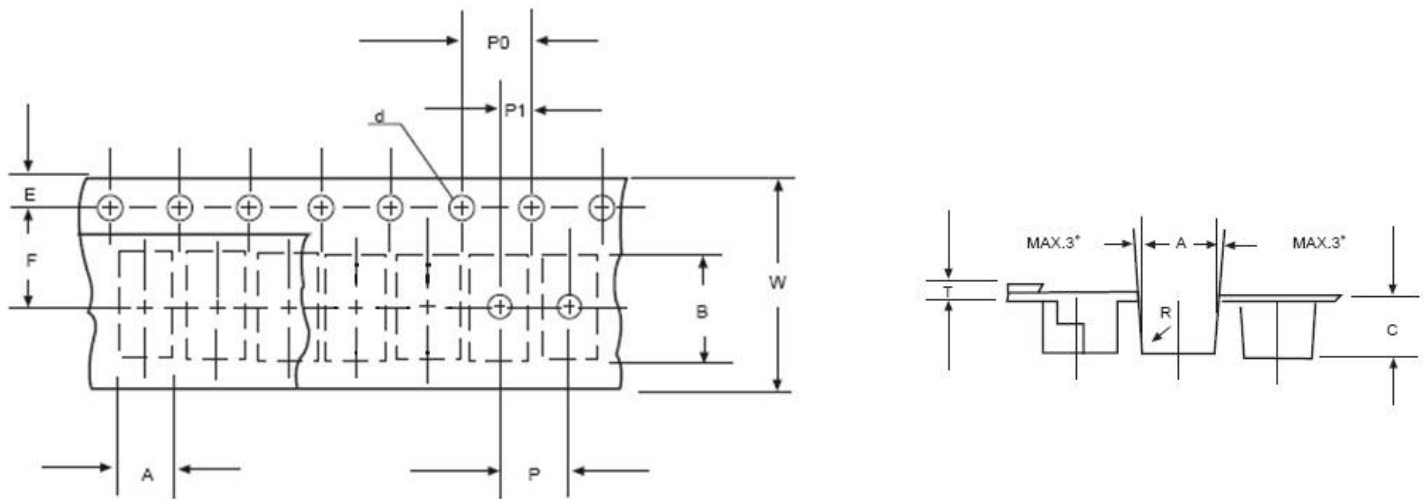


Fig 2. Product orientation in carrier tape

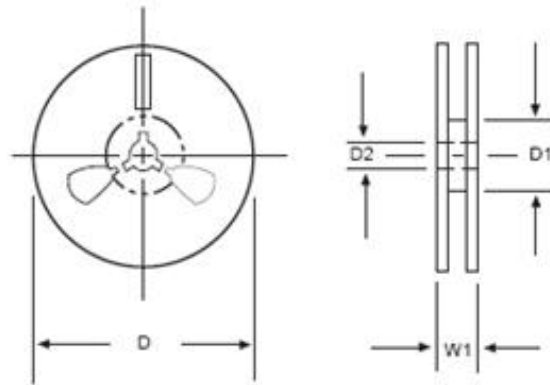
4. Carrier tape dimensions



ITEM	SYMBOL	BTS mm
Carrier width	A	5.5±0.2
Carrier length	B	7.4±0.2
Carrier depth	C	1.6±0.15
Total tape thickness	T	0.3±0.1
Sprocket hole	d	1.6±0.1
Sprocket hole position	E	1.5±0.1
Punch hole position	F	5.65±0.1
Punch hole pitch	P	4.0±0.1
Sprocket hole pitch	P0	4.0±0.1
Embossment center	P1	2.0±0.1
Tape width	W	12±0.5

Fig 3. Carrier tape dimensions

5. Reel dimensions



ITEM	SYMBOL	BTS mm
Reel outside diameter	D	330±2.0
Reel inner diameter	D1	8.0±0.2
Feed hole diameter	D2	13±0.5
Reel width	W1	14±1

Fig4. Reel dimensions